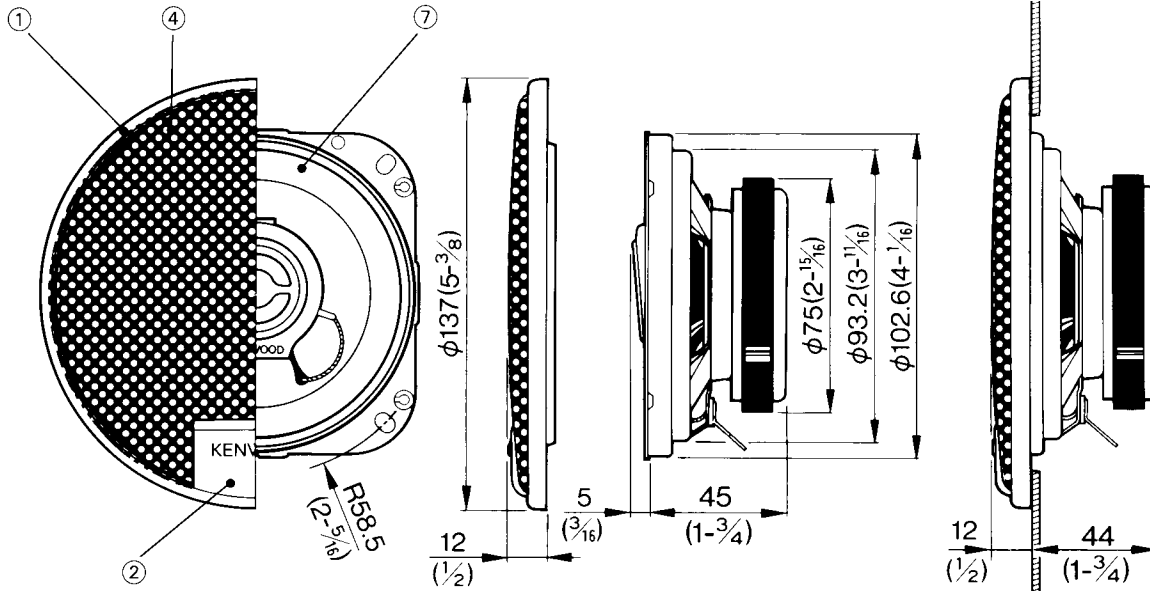


KFC-HQ102

SERVICE MANUAL

©1992-11 PRINTED IN JAPAN
B51-6529-00(MC) 1734

EXTERNAL VIEW



UNIT: mm (inch)

Parts included
Mitgeliefertes zubehör

Pieces fournies
Parti incluse

- ② × 2
- ③ 3m(10ft)(OFC) × 2
- ⑤ × 1
- ⑥ $\phi 4-20 (\frac{3}{16}\text{-}\frac{13}{16})$ × 8
- ⑦ × 8

PARTS LIST

★ New parts
Parts without **Parts No.** are not supplied.
Les articles non mentionnés dans le **Parts No.** ne sont pas fournis.
Teile ohne **Parts No.** werden nicht geliefert.

Ref No.	New Parts	Parts No.	Description
①	★	B06-0749-08	GRILLE
②	★	B43-0900-08	KENWOOD BADGE SET
③	★	E30-5138-08	CORD SET
④	★	F09-1052-08	PROTECTOR
⑤	★	J69-0111-08	ADHESIVE TAPE (to fix PROTECTOR)
⑥	★	N99-1242-08	SCREW SET
⑦	★	T15-0231-08	SPEAKER

SPECIFICATIONS

- Speakers
- Woofer 104mm (4in) Injection P.P. Cone Type
180g(6.4oz) Magnet
 - Tweeter 25mm (1in) P.I. Film Balanced Dome Type
 - Peak Power 60 Watts
 - Frequency Response 55Hz~22,000Hz
 - Sensitivity 89 dB/W at 1m
 - Impedance 4 Ohms
 - Weight Per Speaker With Grille 1,130g (2.49lb)/Pair.

(KENWOOD follows a policy of continuous advancements in development.
For this reason specifications may be changed without notice.)

KENWOOD CORPORATION

Ave. Mike 2-5, 1-chome Shi-buya, Shi-buya-ku, Tokyo 150, Japan

KENWOOD U.S.A. CORPORATION
P.O. BOX 22745, 2221 East Demingway St., Long Beach, CA 90801 U.S.A.
550 Clark Drive, Mount Olive, New Jersey 07828 U.S.A.
99-984 Iwama St., Aomori, Aomori 967-01

KENWOOD ELECTRONICS CANADA INC.
6670 Keele Road, Mississauga, Ontario, Canada L5T 1S6
KENWOOD ELECTRONICS LA FIN AMERICA S.A.
P.O. BOX 55 2791, P.O. 6 Plaza Chiriqui, C. 47 y Arroyo de la Guardia, Panama, Republic of Panama

TRIO-KENWOOD U.K. LIMITED
KENWOOD House, Dwyer Road, Watford, Herts. WD17 8EB, U.K.
KENWOOD ELECTRONICS BENELUX N.V.
Machelsesteenweg 418 B-1930 Zaventem, Belgium
KENWOOD ELECTRONICS DEUTSCHLAND GMBH
Reinholdstr. 15, 8056 Hausenstamm, Germany

TRIO-KENWOOD FRANCE S.A.
13 Boulevard Ney, 75018 Paris, France

KENWOOD LINEAR S.p.A.
20125 Milano Via Arco, 50 Italy

KENWOOD ESPAÑA S.A.
Bosque, 239 08020 Barcelona, Spain

KENWOOD ELECTRONICS AUSTRALIA PTY. LTD.
P.O. BOX 504, 8 Fyshes Drive, Ascot, A.C.N. 601 499 024, Australia

KENWOOD & LEE ELECTRONICS, LTD.
Unit 3712-3724, Level 37 Tower 1, Mega Plaza 224 Hong Fong Road, "New Fong N", Hong Kong
KENWOOD ELECTRONICS SINGAPORE PTE LTD
No. 1 Geylang Lane # 07-00, Singapore 1314